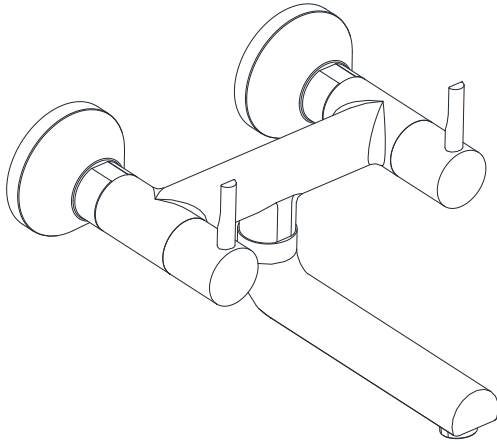
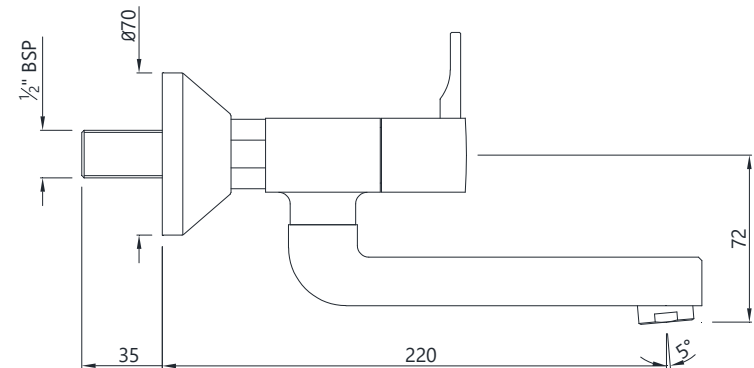
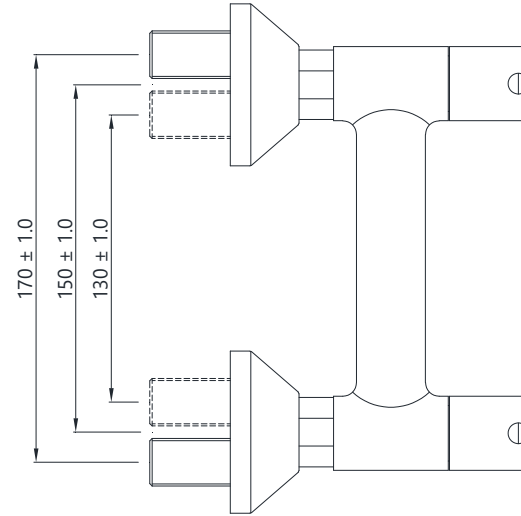




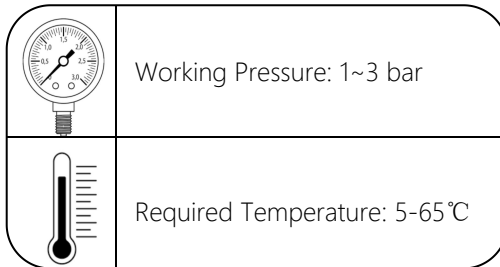
FLP-5219PM



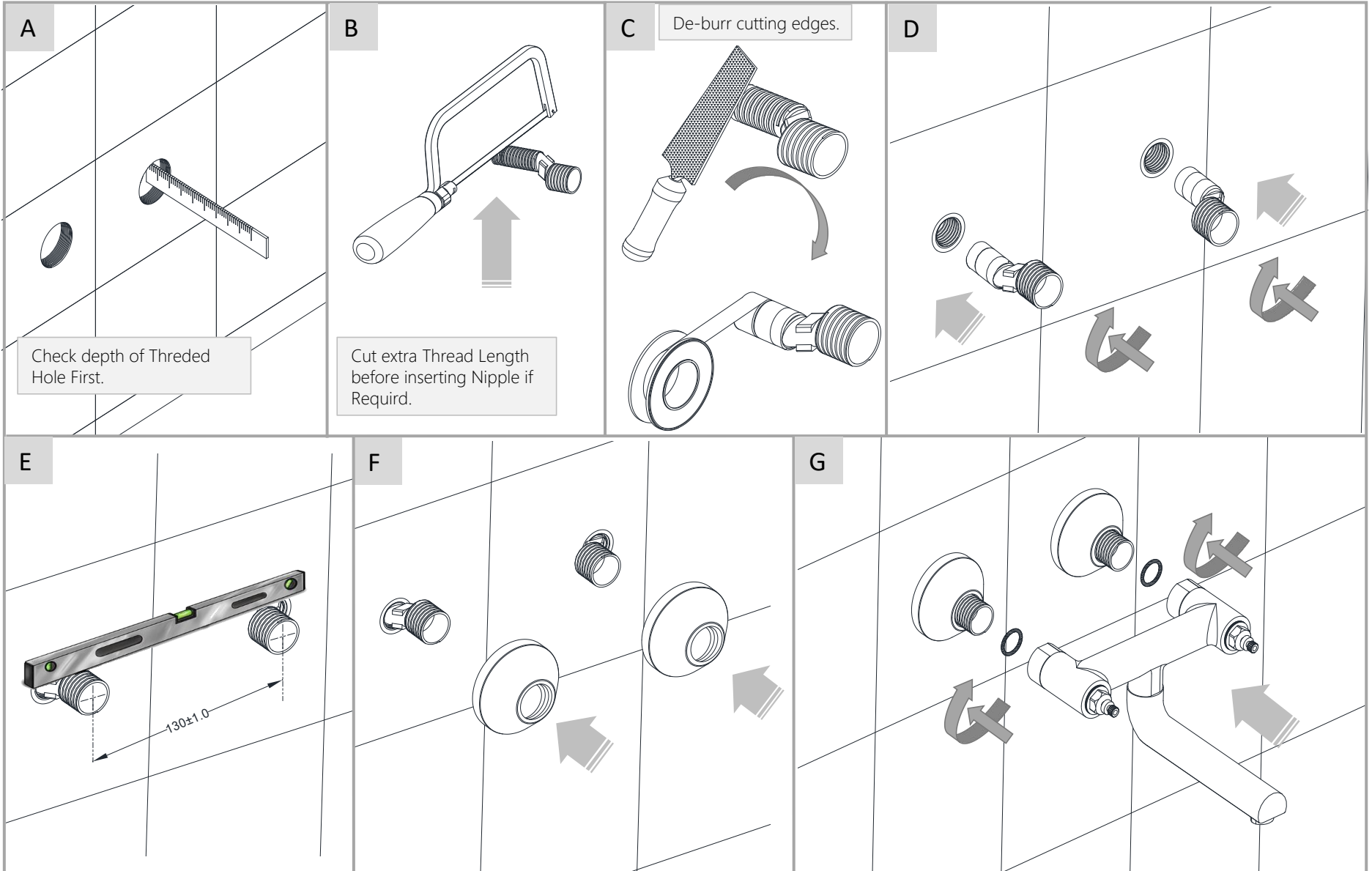
TECHNICAL DRAWING



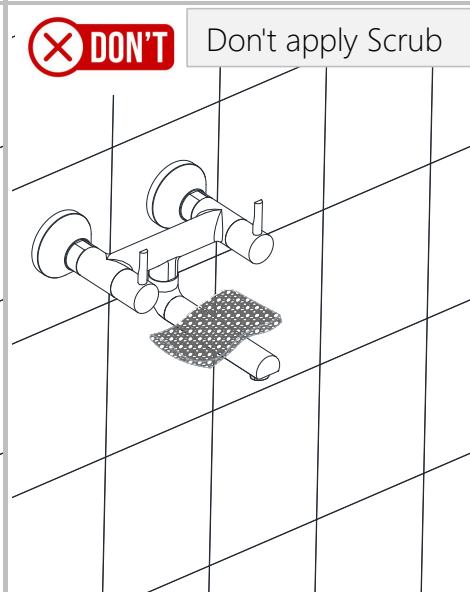
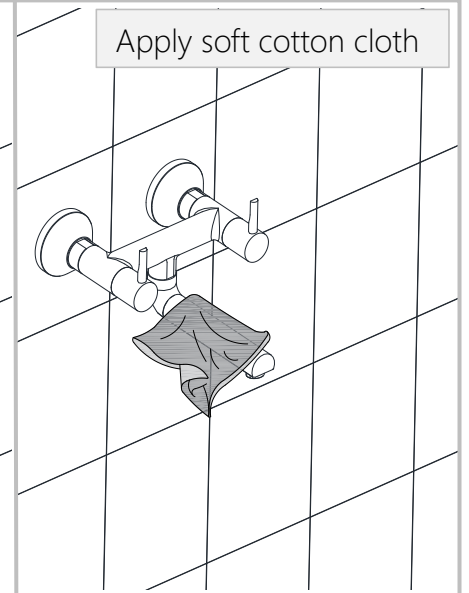
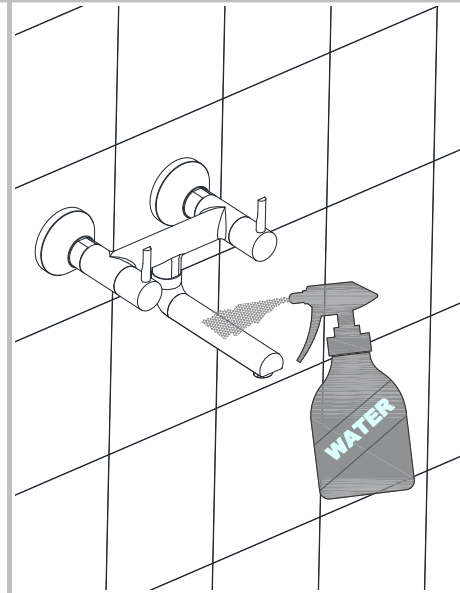
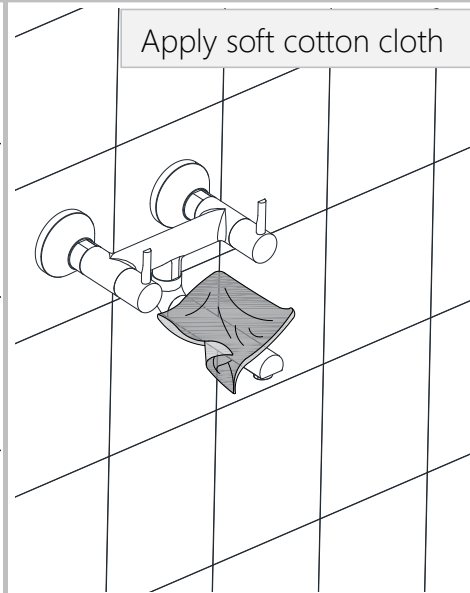
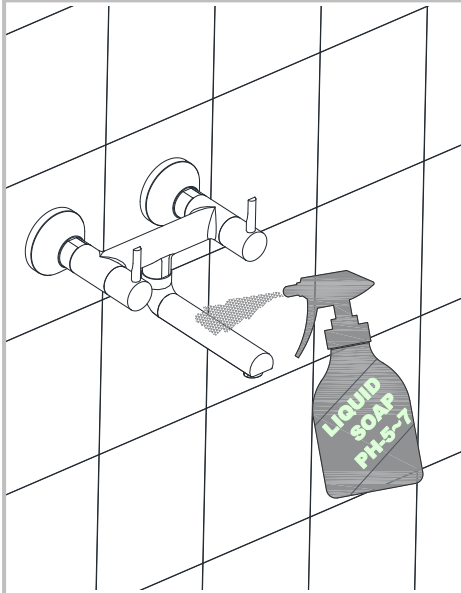
TEMP.& WATER PRESSURE REQUIREMENTS



Note: Above are the recommended values for getting Conventional Output.







Steps & Cleaning agents requirements for Aerator Cleaning.

